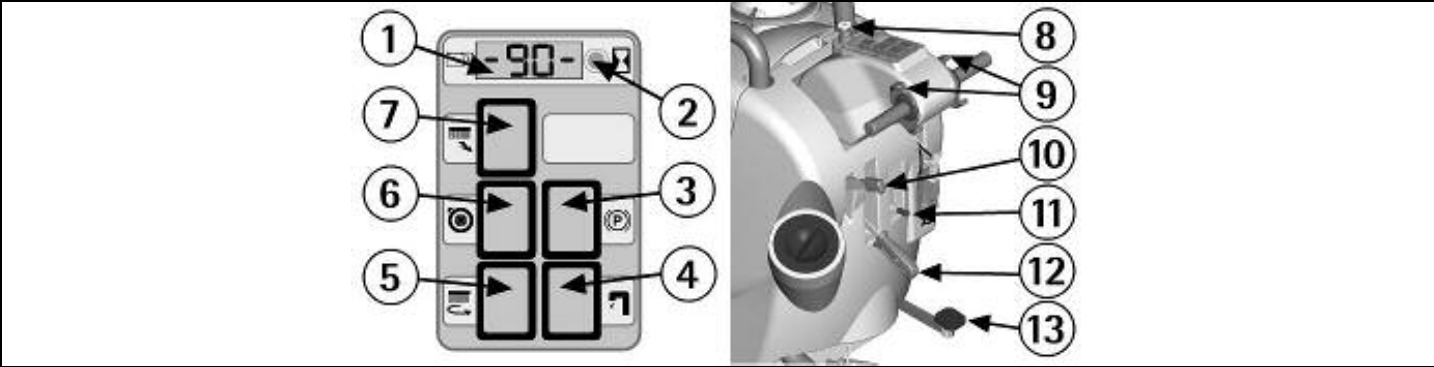


SUMMARY

LEGEND INSTRUMENT BOARD AND CONTROLS	16
LEGEND MACHINE	16
TECHNICAL DESCRIPTION	17
INTRODUCTORY COMMENT	18
GENERAL RULES OF SECURITY	18
SYMBOLOLOGY	18
BEFORE USE	19
Handling of the packed machine	19
Unpacking of the machine	19
Battery installation and setting of the battery type	19
Battery recharger	19
Batteries recharging	19
Batteries disposal	19
Batteries charge level indicator	19
Hour meter	20
Squeegee assembly	20
Adjustment of the squeegee	20
Splash guard assembly	20
Brushes assembly	20
Recovery tank	21
Detergent solution tank	21
FLOOR CLEANING	21
Connection of the batteries to the machine	21
Starting of the machine	21
Forward movement	21
Working brake	21
Emergency brake	21
Adjustment of the brushes pressure	22
Brushes motor overload protection device	22
Overflow device	22
STOP OF THE MACHINE AFTER CLEANING OPERATION	22
DAILY MAINTENANCE	22
Recovery tank cleaning	22
Suction filter cleaning	22
Brushes cleaning	22
Brushes disassembly	22
Squeegee cleaning	23
WEEKLY MAINTENANCE	23
Rear squeegee rubber replacement	23
Squeegee hose cleaning	23
Cleaning of solution tank and filter	23
TWO-MONTHLY MAINTENANCE	23
Front squeegee rubber replacement	23
SIX-MONTHLY MAINTENANCE	23
Splash guard replacement	23
Check of the brake	24
TROUBLESHOOTING GUIDE	24
Signals on the display	24
The suction motor does not work	24
The brushes motor does not work	24
The traction motor does not work	24
Insufficient water on the brushes	24
Machine does not clean properly	24
Squeegee does not dry perfectly	24
Excessive foam production	24
PROGRAMMED MAINTENANCE	25
RECOMMENDED BRUSHES	25

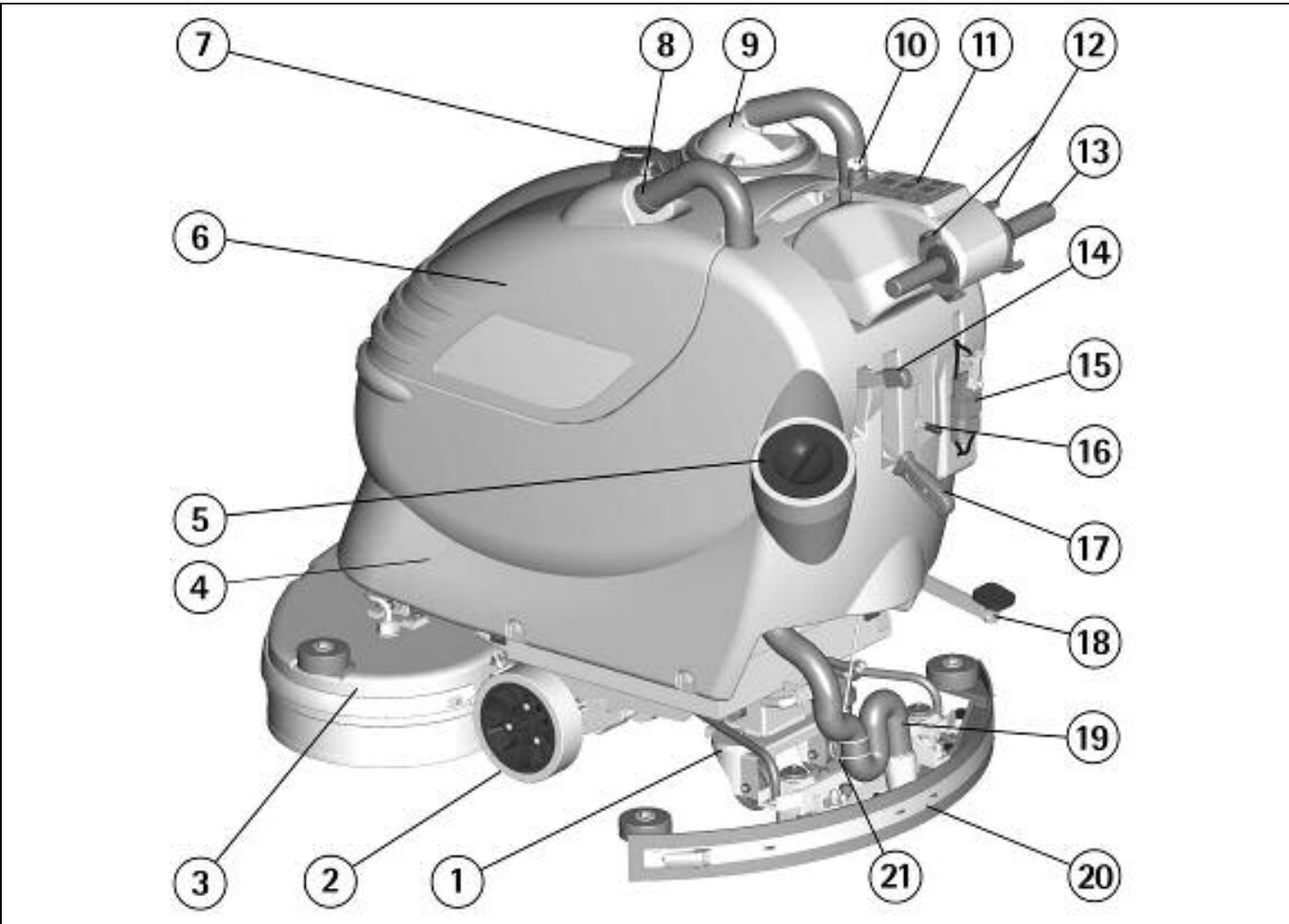
LEGEND INSTRUMENT BOARD AND CONTROLS

- 1. DISPLAY CHARGE LEVEL BATTERIES/HOUR METER
- 2. PUSH BUTTON VISUALIZATION HOUR METER (DISPLAY)
- 3. SIGNAL LAMP BRAKE ON
- 4. SIGNAL LAMP SOLUTION VALVE OPEN
- 5. SWITCH BRUSHES MOTOR
- 6. SWITCH SUCTION MOTOR
- 7. PUSH BUTTON BRUSH RELEASE
- 8. SWITCH WITH KEY
- 9. LEVERS DRIVE CONTROL
- 10. LEVER PARKING / EMERGENCY BRAKE
- 11. LEVER SOLUTION VALVE
- 12. LEVER SQUEEGEE LIFTING
- 13. PEDAL BRUSHES BASE GROUP LIFTING



LEGEND MACHINE

- 1. CASTOR WHEELS
- 2. WHEELS
- 3. BRUSHES BASE GROUP
- 4. SOLUTION TANK
- 5. SCREW CAP FOR INLET DETERGENT SOLUTION
- 6. RECOVERY TANK
- 7. PLUG EXHAUST HOSE RECOVERY TANK
- 8. INLET OPENING SQUEEGEE HOSE
- 9. SUCTION COVER
- 10. SWITCH WITH KEY
- 11. INSTRUMENT BOARD
- 12. LEVERS DRIVE CONTROL
- 13. HANDLE BARS
- 14. LEVER PARKING / EMERGENCY BRAKE
- 15. CONNECTOR BATTERIES
- 16. LEVER SOLUTION VALVE
- 17. LEVER SQUEEGEE LIFTING
- 18. PEDAL BRUSHES BASE GROUP LIFTING
- 19. SQUEEGEE HOSE
- 20. SQUEEGEE ASSEMBLY
- 21. GUIDE SPRING SQUEEGEE HOSE



TECHNICAL DESCRIPTION	U/M	jade 50	jade 55	jade 66
Cleaning width	mm	500	550	660
Squeegee width	mm	850	850	850
Working capacity, up to	sqm/h	2250	2475	3000
Brushes diameter	mm	1x508	2x285	2x345
Brushes rpm	rpm	165	370	200
Pressure on the brushes	kg	36 max	32 max	50 max
Brushes motor	W	600	600	800
Traction motor	W	180	180	180
Type of drive		autom.	autom.	autom.
Movement speed	km/h	4,5	4,5	4,5
Maximum gradient		10%	10%	10%
Suction motor	W	570	570	570
Suction vacuum	mbar	120	120	120
Solution tank	l	53	53	53
Recovery tank	l	56	56	56
Machine length	mm	1335	1272	1360
Machine height	mm	1078	1078	1098
Machine width (without squeegee)	mm	590	604	720
Capacity of the batteries	V/Ah _{5h}	24/180	24/180	24/180
Weight of the batteries	kg	144	144	144
Compartment of the batteries	mm	395x405x374	395x405x374	395x405x374
Weight of the machine (empty and without batteries)	kg	101	100	111
Acoustic pressure level (in conformity with IEC 704/1)	dB(A)	67	67	67
Level of vibration	m/sqs	0,53	0,89	---
Class		III	III	III
Protection level	IP	X3	X3	X3
Tension	V	24	24	24

INTRODUCTORY COMMENT

Thank you for having chosen our machine. This floor cleaning machine is used for the industrial and civil cleaning and is able to clean any type of floor. During its advance movement, the combined action of the brushes and the detergent solution removes the dirt which is aspirated through the rear suction assembly, giving a perfectly dry surface. The machine must be used only for such purpose. It gives the best performance if it is used correctly and maintained in perfect efficiency. We therefore ask you to read this instruction booklet carefully whenever difficulties arise in the course of the machine's use. In case of need, we ask you to contact our service department for all advice and servicing as may prove necessary.

GENERAL RULES OF SECURITY

The rules below have to be followed carefully in order to avoid damages to the operator and to the machine.

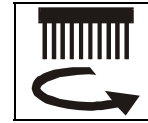
- Read the labels carefully on the machine. Do not cover them for any reason and replace them immediately if damaged.
- The machine must be used exclusively by authorized staff that has been instructed for its use.
- During the working of the machine, pay attention to other people and especially to the children.
- In case of danger act immediately upon the emergency brake.
- Leaving the machine in parking position, take off the key and act upon the parking brake.
- Do not mix different detergents, avoiding harmful odours.
- Do not place any liquid containers onto the machine.
- Storage temperature: between -25°C and +55°C.
- Perfect operating temperature: between 0°C and 40°C.
- The humidity should be between 30 and 95%.
- Do not use the machine in explosive atmosphere.
- Do not use the machine as a means of transport.
- Do not use acid solutions which could damage the machine and/or the persons.
- Do not use the machine on surfaces covered with inflammable liquids or dusts (for example hydrocarbons, ashes or soot).
- In case of fire, use a powder fire-extinguisher. Do not use water.
- Do not strike shelvings or scaffoldings, where there is danger of falling objects.
- Adapt the working speed to the adhesion conditions.
- Do not use the machine on areas having a higher gradient than the one stated on the number plate.
- The machine has to carry out simultaneously the operations of washing and drying. Different operations must be carried out in restricted areas prohibited to non-authorized personnel. Signal the areas of moist floors with suitable signs.
- If the machine does not work properly, check by conducting simple maintenance procedures. Otherwise, ask for technical advice to an authorized assistance centre.
- Where parts are required, ask for ORIGINAL spare parts to the distributor and/or to an authorized dealer.
- Use only ORIGINAL brushes indicated in the paragraph "RECOMMENDED BRUSHES".
- For any cleaning and/or maintenance operation take off the power supply from the machine.
- Do not take off the protections which require the use of tools to be removed.
- Do not wash the machine with direct water jets or with high water pressure nor with corrosive material.
- Every 200 working hours have a machine check through an authorized service department.
- In order to avoid scales on the solution tank filter, do not fill the detergent solution many hours before the machines' use.

- Before using the machine, check that all panels and coverings are in their position as indicated in this use and maintenance catalogue.
- Be sure the recovery tank is empty before lifting it.
- Restore all electrical connections after any maintenance operation.
- Provide for the scrapping of the material of normal wear following strictly the respective rules.
- When your machine has to stop activity, provide for the appropriate waste disposal of its materials, especially oils, batteries and electronic components, and considering that the machine itself has been, where possible, constructed using recyclable materials.

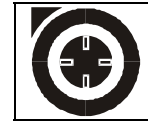
SYMBOLOLOGY



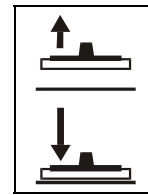
Symbol denoting the solution valve. Indicates the solution valve lever. Indicates the signal lamp of the solenoid valve functioning.



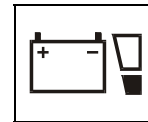
Symbol denoting the brush. Indicates the switch of the brushes motor.



Symbol denoting the suction motor. Indicates the switch of the suction motor.



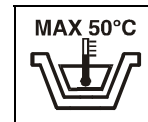
Symbol denoting up-down of the squeegee. Indicates the squeegee lever.



Symbol denoting the charge level of the batteries.



Symbol denoting the hour meter.



Indication of the maximum temperature of the solution detergent. It is placed near the charging hole of the solution tank.



Symbol denoting the brake. Indicates the signal lamp of the brake on.



Symbol denoting the brake. Indicates the lever of the emergency and parking brake.



Symbol denoting the brush release. Indicates the push button used to release automatically the brushes.



Symbol denoting the crossed bin. Indicates that at the end of its activity, the machine has to be disposed conforming to the laws in force.



Symbol denoting the open book. Indicates that the operator has to read the manual before the use of the machine.



Warning symbol. Read carefully the sections marked with this symbol, for the security of both the operator and the machine.

BEFORE USE

HANDLING OF THE PACKED MACHINE

The machine is supplied with suitable packing foreseen for fork lift truck handling.
The total weight is:
122 kg for jade 50/55 - 136 kg for jade 66.
Packing dimensions:

jade 50/55	jade 66
Base: 138 cm x 67 cm	Base: 140 cm x 75 cm
Height: 119 cm	Height: 120 cm

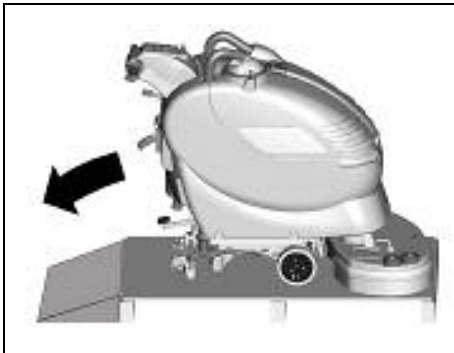
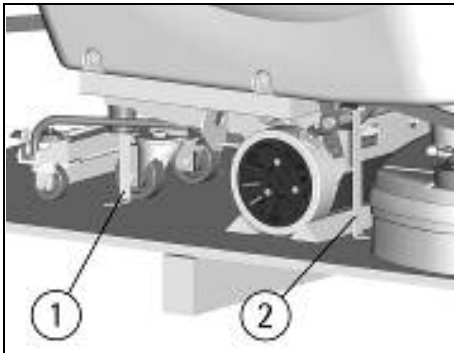


ATTENTION:

Do not place more than 2 packings on top of each other.

UNPACKING OF THE MACHINE

1. Remove the external packing.
2. Unscrew the brackets (1+2) that secure the machine to the pallet.
3. Move the machine backwards, as indicated in the figure, avoiding heavy contacts to mechanical parts.
4. Keep the pallet and the brackets for eventual transport.



BATTERY INSTALLATION AND SETTING OF THE BATTERY TYPE

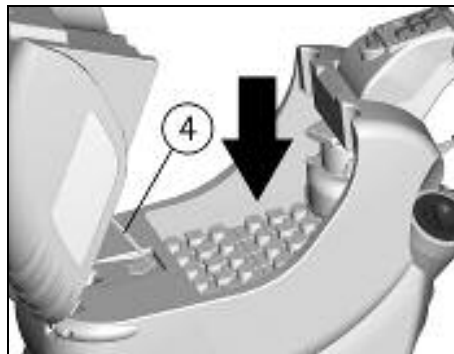
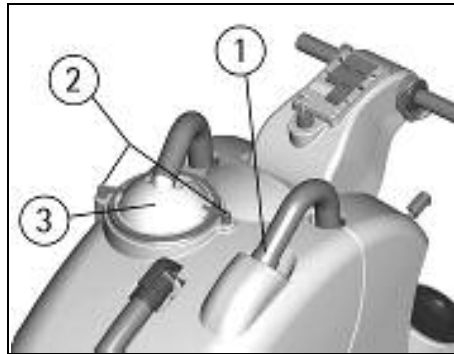
This machine is equipped either with two batteries at 12V in serial connection or elements of DIN-type assembled together and connected in series for a total of 24 Volt, placed in its appropriate compartment under the recovery tank and must be handled using suitable lifting equipment (due to weight, considering the type of batteries chosen, and coupling system).

The batteries must be in accordance with CEI 21-5 Norms.

For batteries installation proceed as follows:

1. Take off the squeegee hose (1).
2. Take off the suction cover (2) after turning the blocking levers (3).
3. Lift the recovery tank by rotating it and fix it with the suitable bar (4).
4. Place the batteries in its compartment.
5. **Connect the terminals, respecting the polarities, avoiding contact with other parts that could create short circuit.**

6. Reassemble all parts.

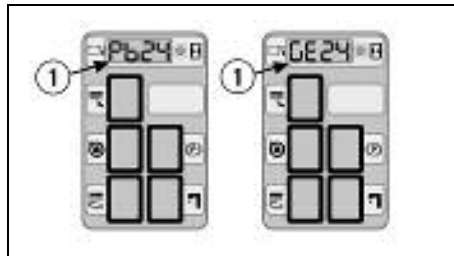


ATTENTION:

The machine and its battery check card foresee the use of traditional lead batteries.

CHECK SETTING OF THE CHECK CARD ON THE INDICATOR (1).

In case of GEL batteries installation, it is necessary to set the battery check card. Please contact the authorized technical assistance.



ATTENTION:

Strictly follow manufacturer/distributor indications for the maintenance and recharge of the batteries. All installation and maintenance operations must be executed by specialized staff, using suitable protection accessories.

BATTERY RECHARGER

Be sure that the battery recharger is suitable for the installed batteries both for their capacities and type (lead/acid or GEL and equivalent).

In the plastic bag containing the use and maintenance you will find the coupling connector for the recharger. It must be assembled onto the cables of your recharger, following the instructions given by the manufacturer.

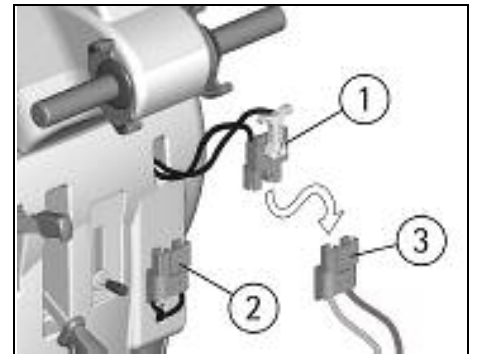


ATTENTION:

This operation must be carried out by qualified staff. A wrong or faulty cable connection can create serious damages to persons or things.

BATTERIES RECHARGING

Bring the machine on a levelled surface.
Plug in batteries connector (1) placed in the rear part of the machine, to connector (3) of the battery recharger.



ATTENTION:

Never charge a GEL battery with a non suitable recharger. Strictly follow the instructions supplied by the batteries and recharger manufacturer.

In order not to cause permanent damages to the batteries, it is necessary to avoid their complete discharge, providing for the recharging within a few minutes after batteries discharge signal starts blinking.

NOTE: Never leave batteries completely discharged even if the machine is not used. In case of traditional batteries, please check the electrolyte level every 20 recharging cycles and eventually fill them up with distilled water.



ATTENTION:

For the recharge of the batteries it is necessary to follow strictly all the indications given by the manufacturer/distributor. All the installation and maintenance operations must be carried out by qualified staff. **Danger of gas exhalations and emission of corrosive liquids. Fire danger: do not approach with free flames.**

BATTERIES DISPOSAL

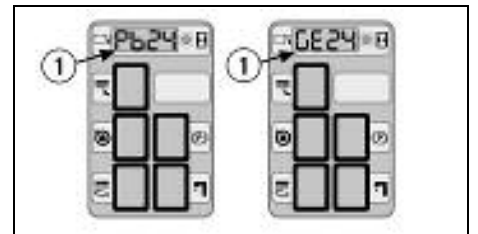
It is compulsory to hand over exhaust batteries, classified as dangerous waste, to an authorized institution according to the current laws.

BATTERIES CHARGE LEVEL INDICATOR

WHEN THE MACHINE IS SWITCHED ON, ON THE DISPLAY APPEARS THE SETTING OF THE BATTERY CHECK CARD:

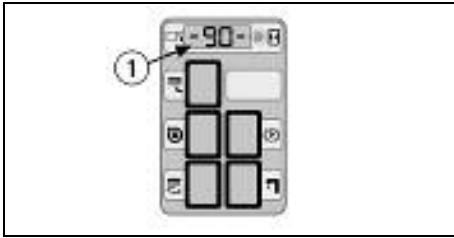
GE 24: check card set for GEL batteries.

Pb 24: check card set for lead batteries.



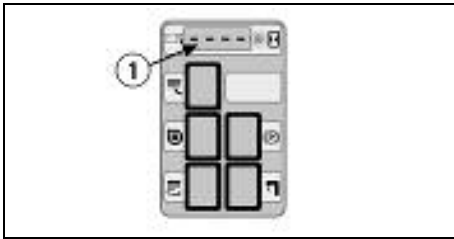
The batteries charge level indicator (1) is digital and indicates the percentage of the battery charge. 90 is the maximum charge, down to a minimum of 10, indicating every 10% decrease.

When the charge level reaches 20%, the display starts blinking indicating the end of the battery charge.



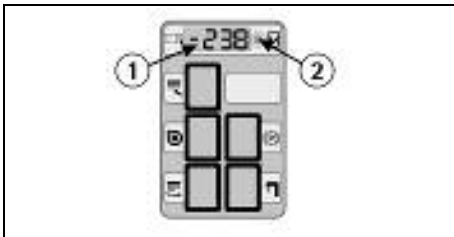
⚠ ATTENTION:

After a few seconds from the blinking of the four lines, the brushes motor stops automatically. With the remaining charge it is anyhow possible to finish the drying operation before proceeding to the re-charge.



HOUR METER

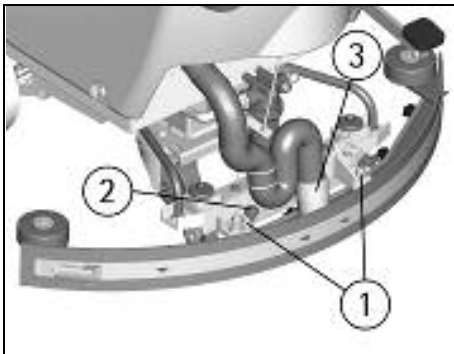
The machine is equipped with an hour meter located on the same display of the battery charge level indicator (1). Keeping the button (2) pressed for more than 3 seconds, the first data indicates the working hours and after a few seconds the working minutes are shown.



SQUEEGEE ASSEMBLY

With the squeegee support slightly lifted from the floor, slide the two stud bolts (1) placed on the upper part of the squeegee, inside the slots on the support. Block the squeegee by rotating the lever (2) clockwise.

Insert the squeegee hose (3) into its coupling, respecting its position as indicated in the figure.



ADJUSTMENT OF THE SQUEEGEE

In order to have a perfect drying result through the squeegee, the rear rubber must have the lower bending uniformly adjusted in all its length. For the adjustment, it is necessary to put oneself in working condition and therefore the suction motor has to be switched on and the brushes have to function together with the detergent solution.

The lower part of the rubber is too much bent
Take off the pressure rotating the wing nut (4) counterclockwise.

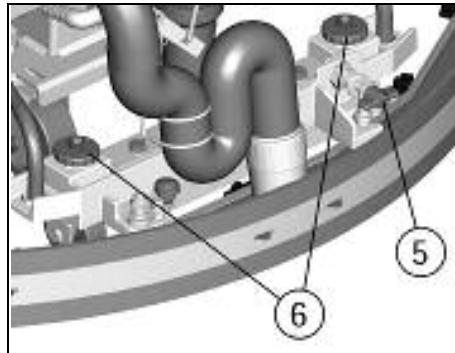
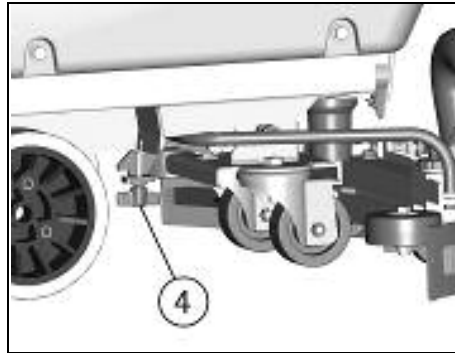
The lower part of the rubber is not much bent
Increase the pressure rotating the wing nut (4) clockwise.

The bending is not uniform

Adjust the squeegee inclination rotating counterclockwise the wing nut (5) to increase the bending in the central part, or clockwise to increase the bending on the extremities.

Height adjustment

Once that the pressure and inclination of the squeegee has been adjusted, it is necessary to fix this optimum condition making touch slightly the wheels onto the floor. Rotate counterclockwise the registers (6) to lower the wheels or clockwise to raise them. Both wheels must be adjusted in the same measure. A label placed near the two registers (6) indicates rotation sense to increase or reduce the height.



⚠ ATTENTION:

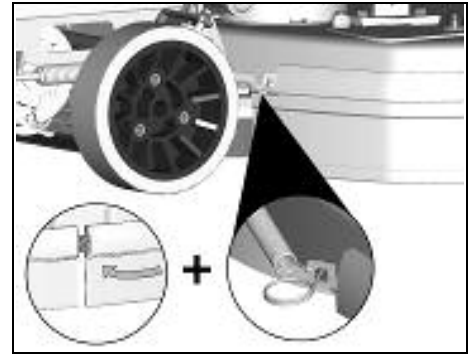
Every type of floor requires a specific adjustment. For example, concrete floors (where the friction results to be high) need little pressure, while smooth floors (ceramics) need higher pressure. If the cleaning operations are made always on the same type of floor, the adjustment can change only in function of the rubber wear.

SPLASH GUARD ASSEMBLY

The two splash guards have to be assembled onto the brushes base group. Insert the metal strips inside the suitable slots present on the rubber. Place the round hole at the flat extremity of the strip onto the screw placed in the front part of the brushes base group. Secure the strips through the nut blocking it.

Hook the spring in the rear part of the brushes base group to the slot placed at the extremity of the metal strip still free. Please act as above for both the splash guard rubbers, paying attention to reduce to the minimum the gap between the two rubbers in the front part of the brushes base group.

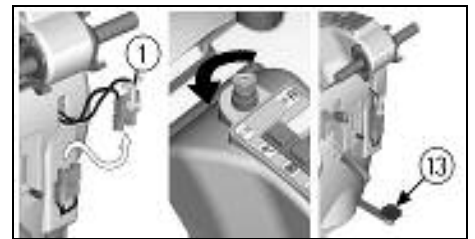
With brushes assembled, the splash guard must slightly touch the floor.



BRUSHES ASSEMBLY

1. Take off the electric supply to the brushes motor unplugging the batteries connector (1). Turn the key counterclockwise.

2. Acting upon the pedal (13) lift the brushes base group.



3. With the brushes base group in lifted position, insert the brushes into their plate seat underneath the brushes base turning them until the three metal buttons are properly seated in their slots; rotate energetically the brushes to push the button towards the coupling spring until they get blocked.

The figures show the rotating sense for brushes coupling.

(jade 55 and jade 66)



(jade 50)



(jade 55 and jade 66)

For a longer life of the brushes we suggest to invert daily their position. Whenever brushes were deformed we suggest to reassemble them in the same position, avoiding that the different inclination of

the bristles causes excessive motor overload or troublesome vibrations.



⚠ ATTENTION:

To carry out brushes assembly operations with the electric supply on, may cause damages to hands.

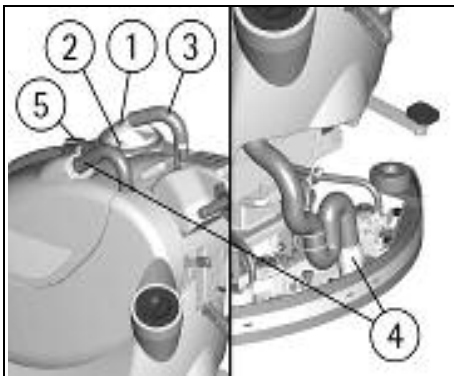
⚠ ATTENTION:

Use only brushes supplied with the machine or the ones indicated in the paragraph "RECOMMENDED BRUSHES". The use of other brushes can compromise security.

RECOVERY TANK

Check that the cover of the suction filter (1) is correctly secured, after rotating the levers (2) and that the suction motor hose is correctly connected.

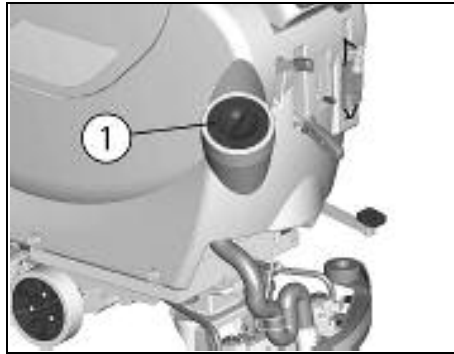
Verify also that the squeegee hose (4) is correctly inserted into the seats and that the exhaust hose plug (5) placed in the front part of the machine, is closed.



DETERGENT SOLUTION TANK

The capacity of the detergent solution tank is indicated in the technical data.

Open the screw plug (1) placed in the rear left part of the machine and fill the detergent solution tank with clean water at a maximum temperature of 50°C. Add the liquid detergent in the percentage and conditions foreseen by the manufacturer. To avoid excessive foam presence, which could cause problems to the suction motor, use the minimum percentage of detergent. Screw down the plug to close the tank.



⚠ ATTENTION:

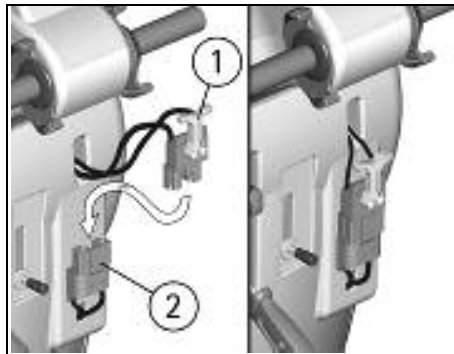
Use always low foam detergent. To avoid foam presence, before starting working operation, introduce into the recovery tank a minimum quantity of anti-foam product.

Never use pure acid.

FLOOR CLEANING

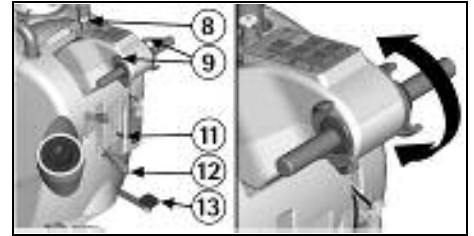
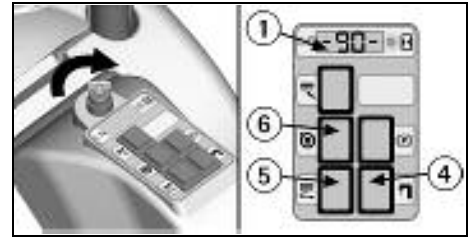
CONNECTION OF THE BATTERIES TO THE MACHINE

Plug in the batteries connector (1) to the machine connector (2), placed in the rear part of the machine.



STARTING OF THE MACHINE

1. Turn the key (8) clockwise.
2. Check the battery type and the charge level on the display (1).
3. Press the brushes motor switch (5).
4. Press the suction motor switch (6).
5. Acting upon the brushes base lifting pedal (13) lower the brushes base.
6. Acting upon the solution valve lever (11) open and adjust the solution detergent flow. On the instrument board the indicator of the open solution valve (4) will turn on. The water starts to flow automatically acting upon the levers drive control (9). Releasing these levers, the flow will stop automatically.
7. Acting upon the squeegee lifting lever (12) lower the squeegee.
8. Acting upon the levers drive control (9) the machine starts to move, the brushes start to rotate and the squeegee starts to dry.
9. During the first metres check that the squeegee adjustment guarantees a perfect drying action and that the detergent solution flow is appropriate. It has to be sufficient to wet the floor uniformly avoiding the leakage of detergent from the splash guards. Always consider that the correct quantity of solution detergent depends on type of floor, dirtiness and machine speed.



FORWARD MOVEMENT

The traction of the machine is given through an electronically controlled motor.

To move the machine, act upon the key (8) and then rotate the levers drive control (9) placed on the handle bar, in forward you obtain the forward drive, in reverse the backwards movement is obtained. The control acts in a progressive way, therefore it is possible to graduate the speed depending on each requirement rotating the lever whatever it is necessary. During reverse motion the speed is reduced.

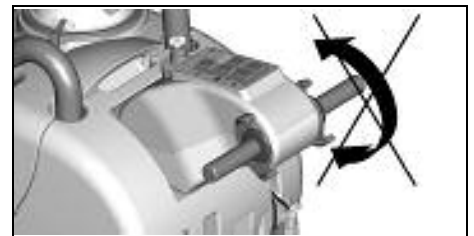
⚠ ATTENTION:

Moving the machine backwards, make sure that the squeegee is lifted.



WORKING BRAKE

To stop the machine during normal working situation, it is sufficient to release the levers drive control (9), as the machine is equipped with an electronic braking system. The brushes and the detergent solution flow stop automatically.

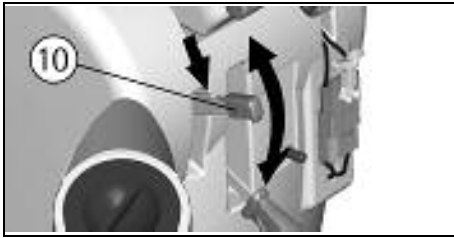


EMERGENCY BRAKE

In case of an emergency, an immediate stop can be obtained acting upon the lever of the emergency and parking brake (10) by pushing it downwards.

⚠ ATTENTION:

This control blocks the machine immediately. The emergency brake functions also as a parking brake. To start again to work, release the lever by unblocking the parking button on the lever itself and act again upon the levers drive control (9).

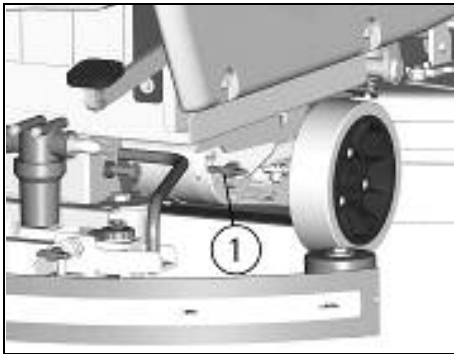


ADJUSTMENT OF THE BRUSHES PRESSURE

Through the register (1) it is possible to adjust the brushes pressure on the cleaned surface. By turning the wing nut clockwise the pressure increases, rotating the wing nut counterclockwise, the pressure decreases. This device allows a more efficient cleaning action also on very difficult and dirty surfaces.

⚠ ATTENTION:

In order not to overload the brushes motor, it is convenient to reduce the brushes pressure going from smooth floors to rough ones (ex. concrete).

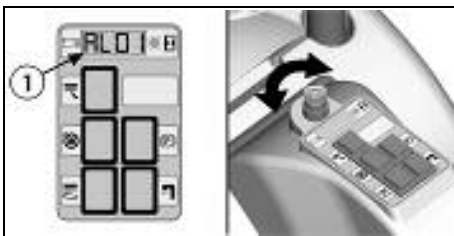


BRUSHES MOTOR OVERLOAD PROTECTION DEVICE

The machine is equipped with an adjustment of the brushes pressure. The presence of a protective device indicating the overload is activated on the display showing the bad functioning with "AL01". Check the pressure regulation as indicated in the previous paragraph.

⚠ ATTENTION:

To restore the functioning of the brushes motor, turn off and on again the machine acting upon the key switch.



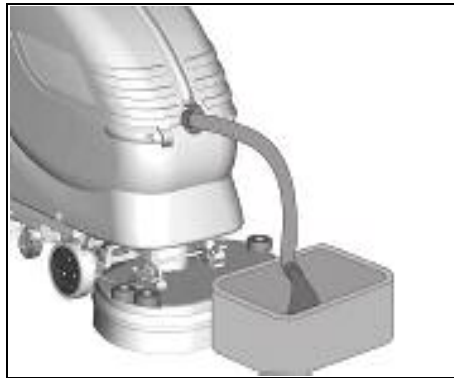
OVERFLOW DEVICE

In order to avoid serious damages to the suction motor, the machine is equipped with a float that intervenes when the recovery tank is full, closing the suction hose and stopping the suction. When this happens, it is necessary to empty the recovery tank.

1. Hold the exhaust hose placed in the front part of the machine.
2. Take off the exhaust plug acting upon its lever and empty the recovery tank into appropriate containers, according to the standard norms.

⚠ ATTENTION:

This operation must be carried out using gloves to protect from contact with dangerous solutions.



STOP OF THE MACHINE AFTER CLEANING OPERATION

Before executing any type of maintenance:

1. Turn the brushes motor switch off (5).
2. Turn the suction motor switch off (6).
3. Lift the brushes base acting upon the pedal (13).
4. Lift the squeegee acting upon the lever (12).
5. Bring the machine to an appropriate place for tanks draining.
6. Turn the key (8) counterclockwise.
7. Insert the parking brake (10).



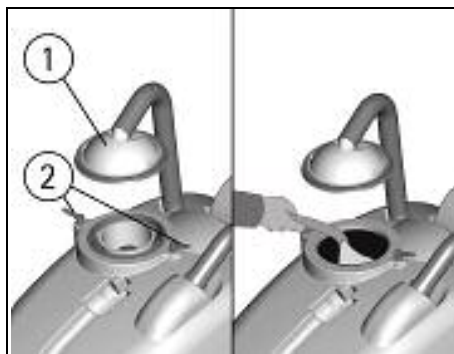
DAILY MAINTENANCE

RECOVERY TANK CLEANING

1. Hold the exhaust hose placed in the front part of the machine.
2. Take off the exhaust plug acting upon its lever and empty the recovery tank into appropriate containers.
3. Take off suction cover (1) after rotating the blocking levers (2).
4. Take off the filter and filter protection.
5. Rinse the tank with water jet.

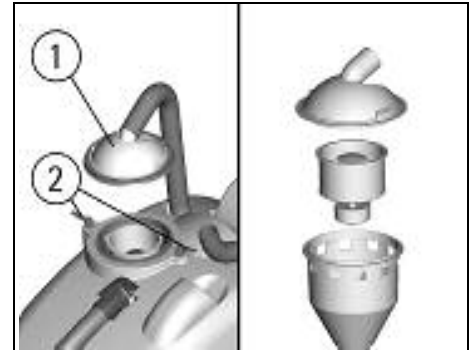
⚠ ATTENTION:

This operation must be carried out using gloves to protect from contact with dangerous solutions.



SUCTION FILTER CLEANING

1. Take off suction cover (1) after rotating the blocking levers (2).
2. Take off the filter and filter protection.
3. Clean all parts with water jet especially inside surfaces and filter bottom.
4. Carry out cleaning operations carefully.
5. Reassemble all parts.



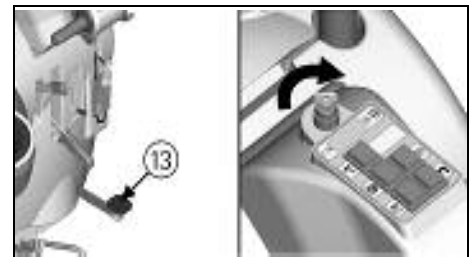
BRUSHES CLEANING

Disassemble the brushes and clean them with a water jet (check "BRUSHES DISASSEMBLY" paragraph).

BRUSHES DISASSEMBLY

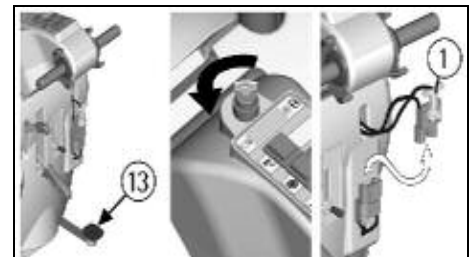
The machine is equipped with an automatic device for the brushes disassembly.

1. Lift the brushes base lowering the pedal (13).
2. Turn the key clockwise.
3. Press the switch of the brushes motor (5).
4. Keeping the release button (7) pressed, act with an impulse upon the levers drive control. In this way, the brushes will rotate for a few instants and then will drop to the floor.



If the brushes are disassembled manually, proceed as follows:

1. Lift the brushes base lowering the pedal (13).
2. Turn the key counterclockwise.
3. Take off the electric supply to brushes motor unplugging the battery connector (1).



4. With the brushes base in lifted position, turn the brush in its rotating sense as indicated in the figure, until it is released from the brush holder plate seat as indicated in the figure. The figures show rotating sense for brushes release.

(jade 55 and jade 66)



(jade 50)



ATTENTION:

During the operation of AUTOMATIC disassembly, make sure that there are not persons or objects near the brushes. To carry out MANUAL brushes disassembly operations with the electric supply on, may cause damages to hands.



ATTENTION:

To carry out brushes disassembly operations with the electric supply on, may cause damages to hands.



ATTENTION:

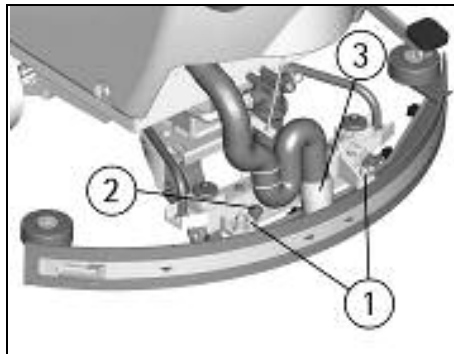
The handling of the brushes operation must be carried out using suitable gloves to protect both mechanically from contact with the bristles and the chemical risk of contact with dangerous solutions.

SQUEEGEE CLEANING

Keeping the squeegee clean guarantees always the best drying action.

For its cleaning it is necessary to:

1. Take off the squeegee hose (3) from the coupling.
2. Disassemble the squeegee from the support rotating the lever (2)) counterclockwise sliding the stud bolts (1) in their slots.
3. Clean with care the internal part of the squeegee inlet eliminating eventual dirt residuals.
4. Clean with care squeegee rubbers.
5. Reassemble all parts.



WEEKLY MAINTENANCE

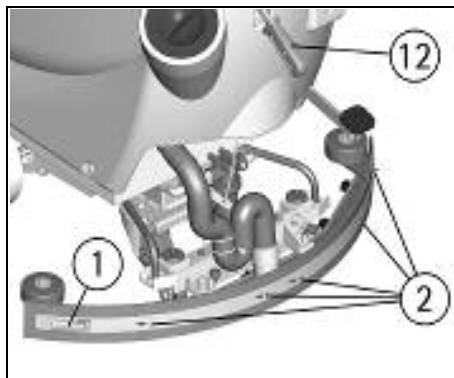
REAR SQUEEGEE RUBBER REPLACEMENT

Check the squeegee rubber wear and eventually turn or replace it.

For the replacement it is necessary to:

1. Lift the squeegee acting upon the lever (12).
2. Release the hook (1) of the rubber holder blade and take the rubber off.
3. Turn the rubber to a new side or replace it.

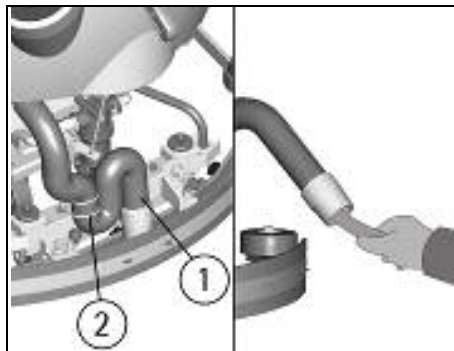
To reassemble the squeegee repeat reverse the operations above mentioned, inserting the rubber on the guides (2) and blocking it with the rubber holder blade.



SQUEEGEE HOSE CLEANING

Weekly or in case of insufficient suction, it is necessary to check that the squeegee hose is not obstructed. Eventually, to clean it, proceed as follows:

1. Take off the hose from the squeegee coupling (1) and release the guide spring of the squeegee hose (2).
2. Wash the inside of the hose with a water jet, from the squeegee hose side.
3. To reassemble the hose repeat reverse the operations above-mentioned.



CLEANING OF SOLUTION TANK AND FILTER

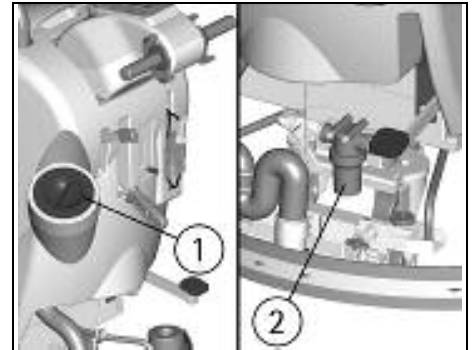
1. Bring the machine to an appropriate place for tanks draining.
2. Unscrew the solution tank cap (1).
3. Unscrew the exhaust plug (2).
4. Rinse with a water jet the solution tank.

5. Rinse the solution tank filter placed inside the exhaust plug (2).
6. Reassemble all parts.



ATTENTION:

This operation must be carried out using gloves to protect from contact with dangerous solutions.



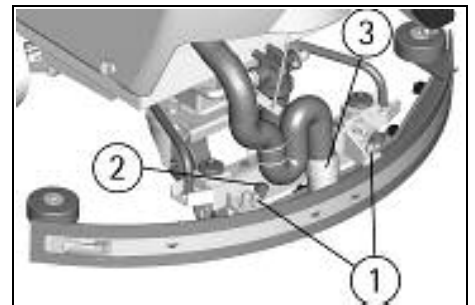
TWO-MONTHLY MAINTENANCE

FRONT SQUEEGEE RUBBER REPLACEMENT

Check the wear of the squeegee rubber and eventually replace it.

For the replacement it is necessary to:

1. Take off the squeegee hose (3).
2. Disassemble the squeegee from the support rotating the levers (2) counterclockwise by sliding the stud bolts (1) in their slots.
3. Unscrew the wing nuts (4) in the front part of the squeegee.
4. Take off the rubber holder blade.
5. Replace the front rubber.
6. Reassemble all parts.

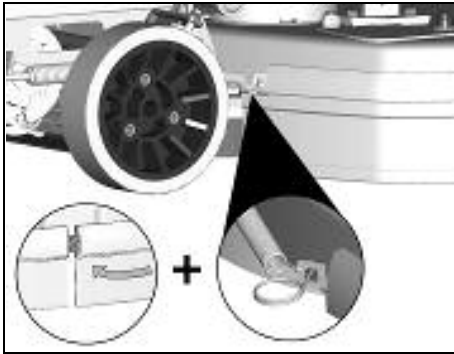


SIX-MONTHLY MAINTENANCE

SPLASH GUARD REPLACEMENT

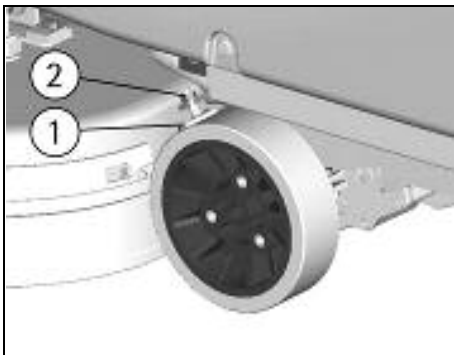
1. Release the spring in the rear part of the brushes base group from the slot placed at the extremity of the metal strip.
2. Replace the splash guard rubbers and follow assembling instructions at "SPLASH GUARD ASSEMBLY" paragraph.

With brushes assembled, the splash guard must slightly touch the floor.



CHECK OF THE BRAKE

Check the braking efficacy and that both pads (1) which act upon the traction wheels, in resting position, have got a distance of not more than 3mm from the wheels. If necessary, adjust them through the fixing nuts (2).



TROUBLESHOOTING GUIDE

The checking of all the other foreseen machine operations is left to the authorized technical assistance.

SIGNALS ON THE DISPLAY

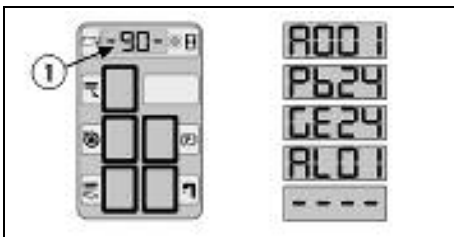
A001: Indication of the version of the electronic check card (the last number indicates the revision of the check card).

Pb24: Indication battery check card set for lead batteries.

GE24: Indication battery check card set for gel batteries.

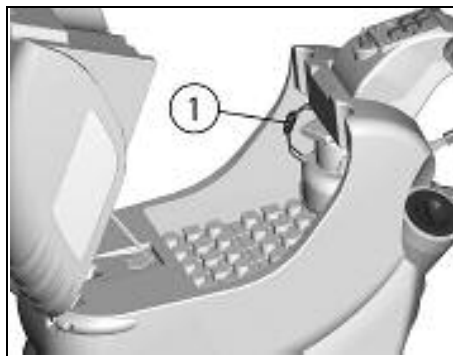
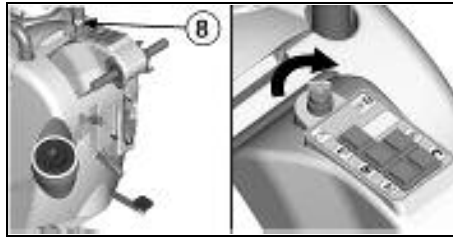
AL01: Signal indicating an absorption of excessive current of the brushes motor.

---- (blinking): signal indicating the discharged batteries and intervention of the brushes stop device.



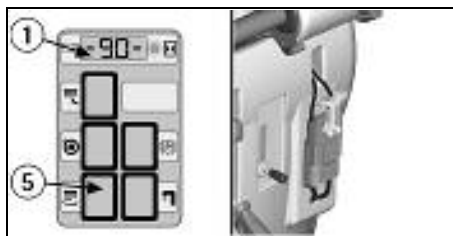
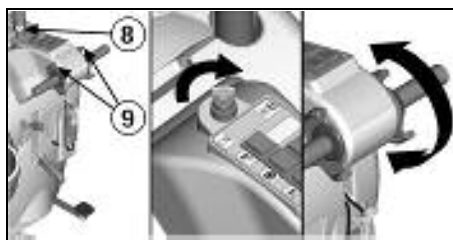
THE SUCTION MOTOR DOES NOT WORK

1. Verify that the key switch (8) is in the correct position.
 2. Check the charge level of the batteries.
 3. Check that the battery connector is correctly plugged in.
 4. Verify that the switch (6) is on.
 5. Check that the red connector of the suction motor (1) is correctly plugged in.
- If the problem persists, please contact the authorized technical assistance.



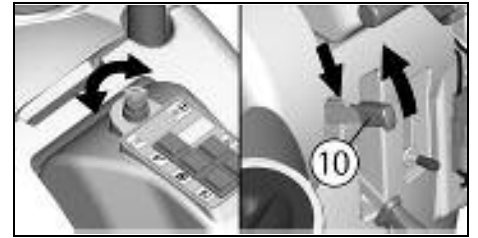
THE BRUSHES MOTOR DOES NOT WORK

1. Verify that the key switch (8) is in the correct position. Switch off and on again the machine.
 2. Check the charge level of the batteries.
 3. Check that the battery connector is correctly plugged in.
 4. Verify that the switch (5) is on.
 5. Act upon the levers drive control (9).
 6. Check that on the display (1) does not appear the alarm "AL01" (brushes motor overload alarm).
- If the problem persists, please contact the authorized technical assistance.



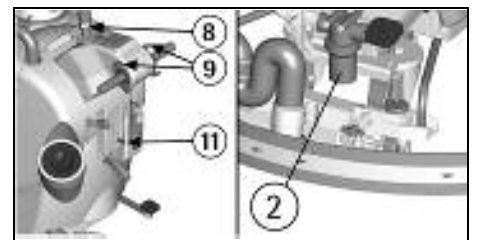
THE TRACTION MOTOR DOES NOT WORK

1. Switch off and on again the machine.
 2. Release the brake (10) till the signal lamp (3) comes off.
 3. Act upon the levers drive control.
- If the problem persists, please contact the authorized technical assistance.



INSUFFICIENT WATER ON THE BRUSHES

1. Check that the solution valve lever (11) is open.
 2. Check the level of the liquid in the solution tank.
 3. Check that solution filter (2) is clean.
 4. The machine is equipped with solenoid valve, therefore act upon the levers drive control (9).
- If the problem persists, please contact the authorized technical assistance.



MACHINE DOES NOT CLEAN PROPERLY

1. The brushes do not have the suitable bristle dimension: contact the authorized technical assistance.
2. The brushes have got worn bristles. Check the brushes wear condition and eventually replace them (the brushes have to be replaced when the bristles have reached a height of about 15mm). To replace brushes, see instructions at paragraph "BRUSHES DISASSEMBLY" and "BRUSHES ASSEMBLY".
3. The solution detergent is insufficient: open more the solution valve.
4. Check that the liquid detergent is in the recommended percentage.
5. Increase the brushes base pressure (see at paragraph "ADJUSTMENT OF THE BRUSHES PRESSURE"). Contact the authorized technical assistance for advice.

SQUEEGEE DOES NOT DRY PERFECTLY

1. Check that the squeegee rubbers are clean.
2. Check the adjustment of the height and the inclination of the squeegee. (see section "ADJUSTMENT OF THE SQUEEGEE" in "BEFORE USE").
3. Check that the suction hose is correctly inserted in the proper seat on the recovery tank.
4. Clean the suction filter.
5. Replace the rubbers if worn out.
6. Check that the suction motor switch is on.

EXCESSIVE FOAM PRODUCTION

Check that low foam detergent has been used. Eventually add small quantities of anti foam liquid into the recovery tank.

Please be aware that a bigger quantity of foam is produced when the floor is not very dirty. In this case please dilute detergent solution.

PROGRAMMED MAINTENANCE

INTERVENTION	DAILY	20 HOURS *	200 HOURS *	1000 HOURS *
RECOVERY TANK CLEANING	•			
SUCTION FILTER CLEANING	•			
SOLUTION TANK FILTER CLEANING		•		
BRUSHES CLEANING	•			
BRUSHES DISASSEMBLY AND CLEANING	•			
SQUEEGEE CLEANING	•			
FRONT SQUEEGEE RUBBER REPLACEMENT			•	
REAR SQUEEGEE RUBBER REPLACEMENT		•		
SPLASH GUARD RUBBER REPLACEMENT				•
CHECK SQUEEGEE ADJUSTMENT		•		
SQUEEGEE HOSE CLEANING		•		
SOLUTION TANK CLEANING		•		
CHECK BATTERIES ELECTROLYTE		•		
CHECK OF THE BRAKE				•
TRACTION MOTOR CHECK				•
BRUSHES MOTOR CHECK				•
SUCTION MOTOR CHECK				•
CHECK BRUSHES BASE GROUP			•	
SCREW TIGHTENING				•

* The hours refer to the ones indicated on the display (see under paragraph "HOUR METER").

RECOMMENDED BRUSHES

Brushes must be chosen depending on type of floor and dirt to be removed.

The employed material and the bristles diameter are the elements that distinguish different types of brushes.

MATERIAL	CHARACTERISTICS
PPL (Polypropylene)	Good wear resistance. Maintains characteristics with hot water up to 60°C. It is not hygroscopic.
NYLON	Excellent wear resistance, even with hot water over 60°C. It is hygroscopic. It loses its physical characteristics over the time.
TYNEX	Nylon bristles with grains of abrasive material. Use with caution in order not to mark the floor or ruin the polishing.
BRISTLES THICKNESS	Thicker bristles are more rigid and must be used on smooth floor or floor with small joints. On irregular floors with deep joints or relieves, it is recommended to use softer bristles which penetrate more easily and deeper. Please be aware that when brushes bristles are worn out and therefore too small, they become rigid and unable to penetrate and clean deeper. This may also happen with thicker bristles creating brush vibration.
PAD HOLDER	It is equipped with anchor points which permit the blocking of the abrasive pad during work. The pad is recommended to clean smooth floors.

MACHINE	CODE	QUANTITY	DESCRIPTION	USE
jade 50	48902010	1	Brush PPL 0,3 Ø 508	Irregular floors with large joints.
	48902020	1	Brush PPL 0,7 Ø 508	Smooth floors with small joints and persistent dirt.
	48902030	1	Brush PPL 0,9 Ø 508	Smooth floors with small joints and persistent dirt.
	48902040	1	Brush TYNEX Ø 508	Floors of resistant material and particularly dirty.
	48902050	1	Brush PPL 0,6 Ø 508	Normal floors.
	48802010	1	Pad holder Ø 495 + center lock green	For pads of 20", for smooth surfaces cleaning.
	48802020	1	Pad holder Ø 495 + center lock black	For pads of 20", for smooth surfaces cleaning.
jade 55	48901110	2	Brush PPL 0,3 Ø 285	Irregular floors with large joints.
	48901120	2	Brush PPL 0,4 Ø 285	Normal floors.
	48901130	2	Brush PPL 0,5 Ø 285	Smooth floors with small joints and persistent dirt.
	48901140	2	Brush NYLON 0,5 Ø 285	Smooth floors with small joints and persistent dirt.
	48901150	2	Brush PPL 0,6 Ø 285	Smooth floors with small joints and persistent dirt.
	48901160	2	Brush TYNEX Ø 285	Floors of resistant material and particularly dirty.
	48901170	2	Brush PPL 0,9 Ø 285	Smooth floors with small joints and persistent dirt.
	48901180	2	Brush 5-mix Ø 285	For all types of floors
	48801020	2	Pad holder Ø 280	For pads of 11", for smooth surfaces cleaning.
jade 66	48903020	2	Brush PPL 0,6 Ø 345	Normal floors.
	48903030	2	Brush PPL 0,9 Ø 345	Smooth floors with small joints and persistent dirt.
	48903040	2	Brush TYNEX Ø 345	Floors of resistant material and particularly dirty.
	48903050	2	Brush 5-mix Ø 345	For all types of floors.
	48803010	2	Pad holder Ø 330	For pads of 14", for smooth surfaces cleaning.
	48803030	2	Pad holder Ø 330 + center lock green	For pads of 14", for smooth surfaces cleaning.
	48803040	2	Pad holder Ø 330 + center lock black	For pads of 14", for smooth surfaces cleaning.